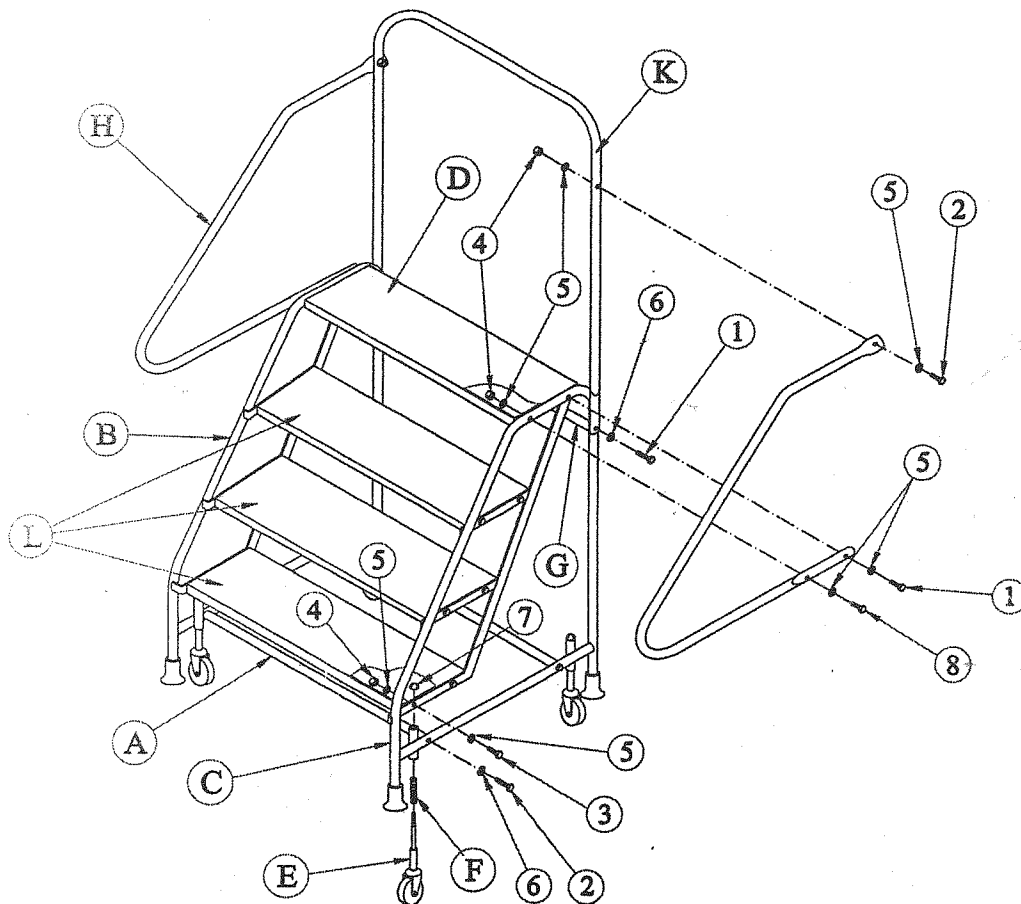


BOX LADDER WITH RAIL

Assembly Instructions

Please read this instruction completely before beginning assembly. Carefully remove all parts from the box and identify them from the parts list. Always wear ANSI approved safety goggles when working with tools and equipment. Please have all hardware installed loose and not tightened until everything is installed and make sure all legs touch floor firmly, then tighten everything together and make sure nothing is forced into place.



REP.	DESCRIPTION	QTY	REP.	DESCRIPTION	QTY
A	CONNECTING PIPE	2 pcs	L	STEP	3 pcs
B	LEFT LEG	1 pc	1	BOLT M8X45	4 pcs
C	RIGHT LEG	1 pc	2	BOLT M8X40	6 pcs
D	TOP STEP	1 pc	3	BOLT: H426P/H418P-M8x20 or H426/H418-M8X25	12 pcs
E	CASTOR 2"	4 pcs	4	NYLON LOCK NUT-M8	18 pcs
F	SPRING	4 pcs	5	FLAT WASHER 8	36 pcs
G	SHORTER CONNECTING PIPE	1 pc	6	LOCK WASHER 8	6 pcs
H	HANDRAIL	2 pcs	7	CAP LOCK NUT M8	4 pcs
K	REAR GUARD	1 pc	8	BOLT M8X60	2 pcs

- STEP 1.** Pick out the shorter connecting pipe (G) from the three connecting pipes and attach it to the left leg (B) and the right leg (C) with the rear guard (K) on the rear side of the ladder using lock washer (6), bolts-M8x45 (1) as shown in the diagram.
- STEP 2.** Repeat step 1 with the other two connecting pipes (A) (of the same length) on the bottom of the ladder using bolts-M8x40 (2) and lock washer (6).
- STEP 3.** Assemble the 10 inch top step (D) to the left leg and the right leg and handrail (H) with front bolts-M8x60 (8), rear bolts-M8x45 (1), flat washers (5) and nylon lock nuts-M8 (4) the other 7 inch steps (L) with bolts-M8x20 (3). (Bolts M8x25 (3) will be used in case of expanded metal tread step.) Then assemble the handrail with bolts-M8x40 (2), flat washer (5) and nylon lock nuts (4).
- STEP 4.** Install the castors (E) with spring (F) and cap lock nut M8 (7) as shown.